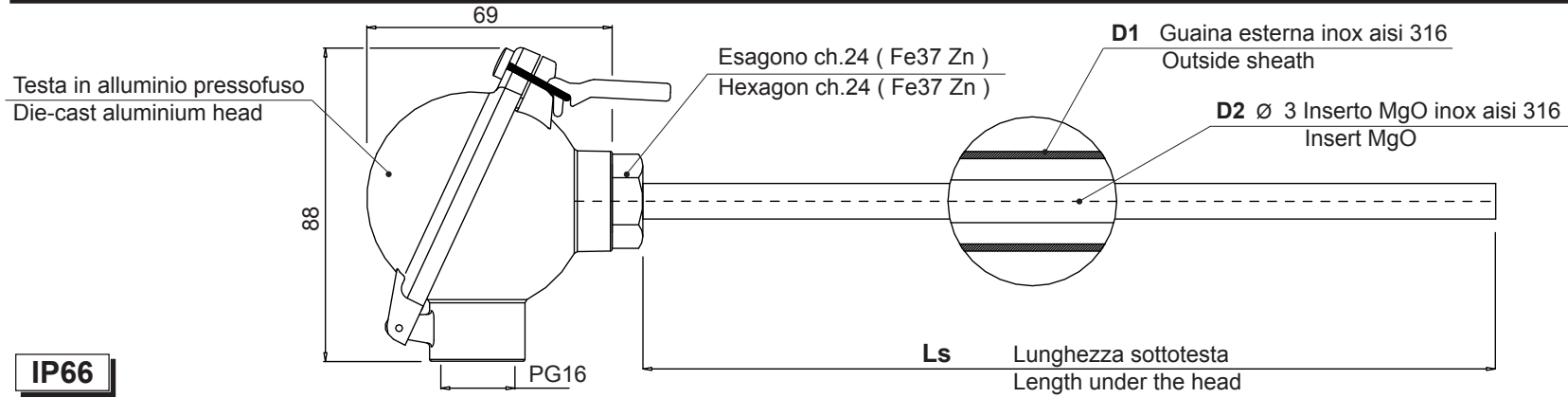


# Termoresistenza PT 100 ( range - 70°C / + 500°C )

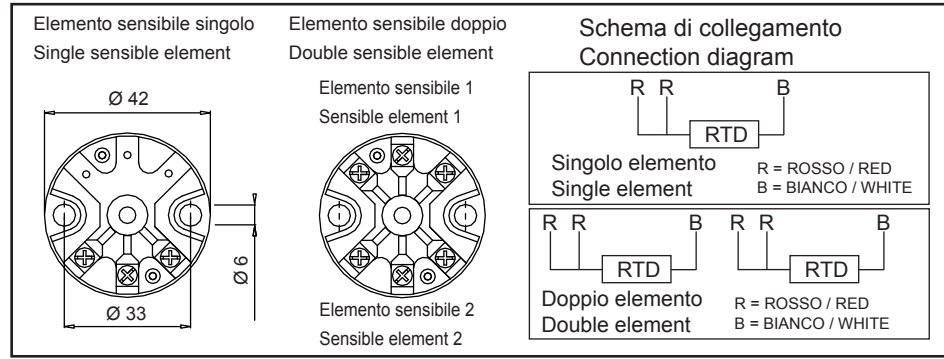
## PT 100 resistance thermometer ( operating range - 70°C / + 500°C )



Lunghezza Ls  
Length

01	50 mm
02	100 mm
03	150 mm
04	200 mm
05	250 mm
06	300 mm
07	350 mm
08	400 mm
09	450 mm
10	500 mm
11	550 mm
12	600 mm
13	650 mm
14	700 mm
15	750 mm
16	800 mm
17	850 mm
18	900 mm
19	950 mm
20	1000 mm
22	1100 mm
24	1200 mm
26	1300 mm
28	1400 mm
30	1500 mm
32	1600 mm
34	1700 mm
36	1800 mm
38	1900 mm
40	2000 mm
42	2100 mm
44	2200 mm
46	2300 mm
48	2400 mm
50	2500 mm
52	2600 mm
54	2700 mm
56	2800 mm
58	2900 mm
60	3000 mm

Tutte le quote sono espresse in mm  
All dimensions are in millimeters



Diametro guaina esterna D1 (mm)  
Outside sheath diameter

Ø 6	Ø 8	Ø 10	Ø 14	Ø 17.2	Ø 20
06	08	10	14	17	20

Elemento  
Element

Singolo (3 fili) Single	Doppio (6 fili) Double
1	2

Tolleranza elemento sensibile ( IEC751 )  
Tolerance of sensitive element

Classe A Class A (+/- 0,15°C a 0°C)	Classe B Class B (+/- 0,30°C a 0°C)
3	0

Optional Filetto F Thread

	1/4" gas ( Fe37 Zn )	3/8" gas ( Fe37 Zn )	1/2" gas ( Fe37 Zn )	1/2" gas ( Aisi 303 )
Ø 6	●	●	●	●
Ø 8	●	●	●	●
Ø 10	—	●	●	●
Ø 14	—	●	●	●
Ø 17.2	—	—	—	—
Ø 20	—	—	—	—
	TA1480	TA1520	TA1560	TI1560

Versione con filetto sottotesta  
Version with thread under head

Esempio di ordine: Cod. **R0100.071.0808 + TA1480** termoresistenza PT100 in classe "B", singolo elemento, guaina esterna Ø 8 mm, lunghezza sottotesta 400 mm + opt. filetto 1/4"gas  
Ordering example: Cod. **R0100.071.0808 + TA1480** Class "B" PT100 resistance thermometer, single element, outside sheath Ø 8 mm, length under the head 400 mm + opt. filetto 1/4"gas

Inserimento minimo 40 mm.  
Minimum insertion 40 mm.

R 0 1 0 0 . 7 .

Tolleranze dimensionali +/- 3% - Dimensional tolerances +/- 3%



Focus Impianti Via Monte Grappa, 7/G 36050 Quinto Vicentino (VI)  
P. +39 0444 1452952 - F. +39 0444 356489  
info@fornifocus.it - www.fornifocus.it